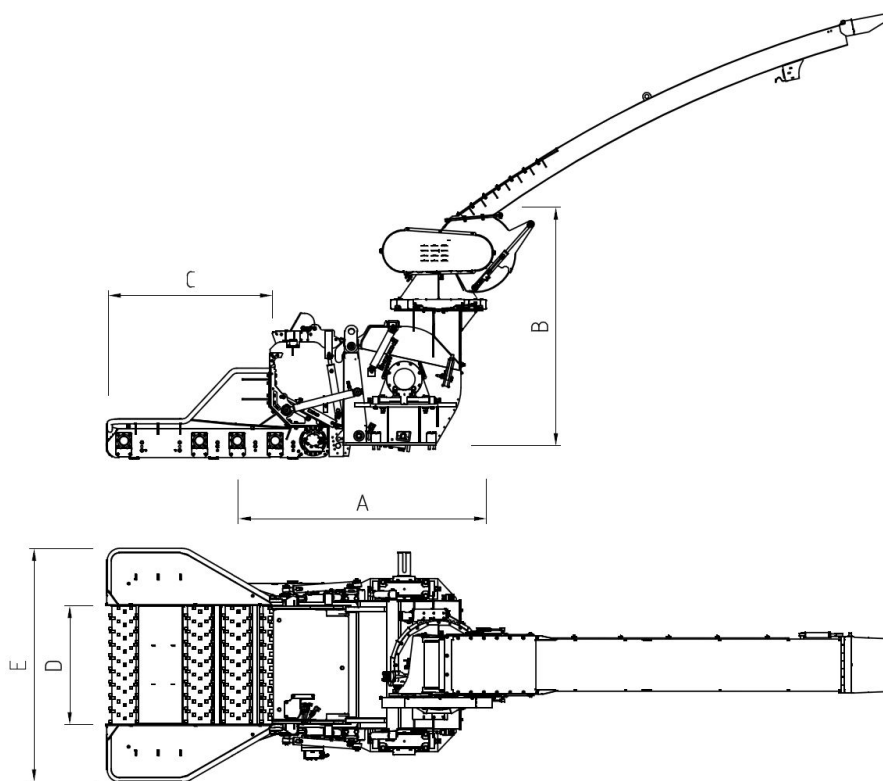


# 1006 Chipper

Transport width (A) [mm]	2500
Transport height (B) [mm]	2400
Length infeed table (C) [mm]	1650
Width infeed (D) [mm]	1200
Width infeed table (E) [mm]	2350
Weight complete unit approx [ton]	9t

Diameter chipper drum[mm]	1000
Infeed opening W x H [mm]	1200 x 720
Adjustable chip length [mm]	10-45
Max diameter, softwood[mm]	600
Max diameter, hardwood [mm]	500
Capacitet (m3/h)	150-250
Recomended power (hp)	700-800



## Alternative equipment

To equip your machine to optimum performance, BRUKS offers different choices: 5-roll infeed table, Different sets of chipper drums, Various sets of sleeve breakers, Dual chip deflector.

## Optional equipment

The optional / additional equipment you can choose: Knife box, Service platform.